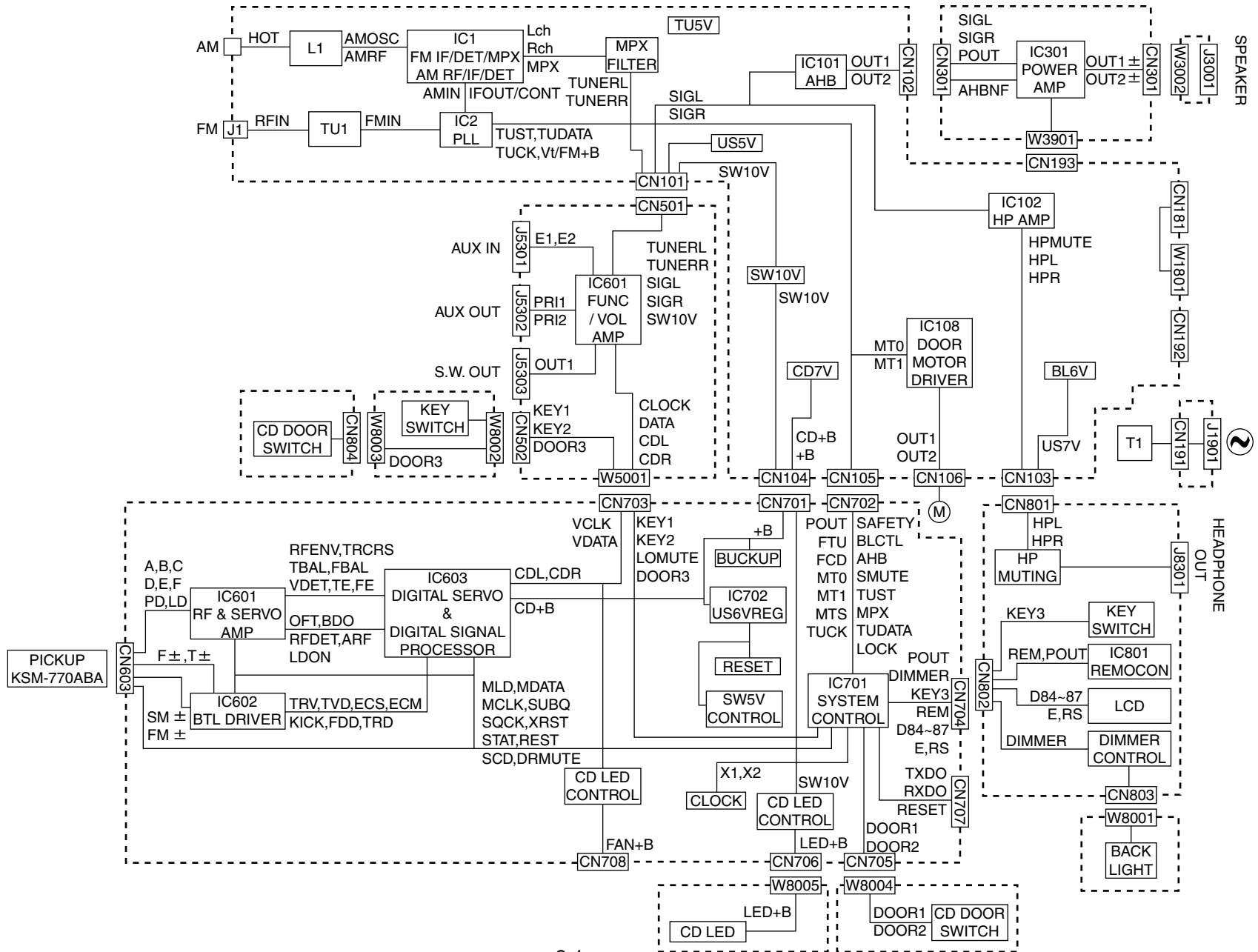


Block diagram



< MEMO >

Standard schematic diagrams

CD servo control section (for KSM-770ABA)

5

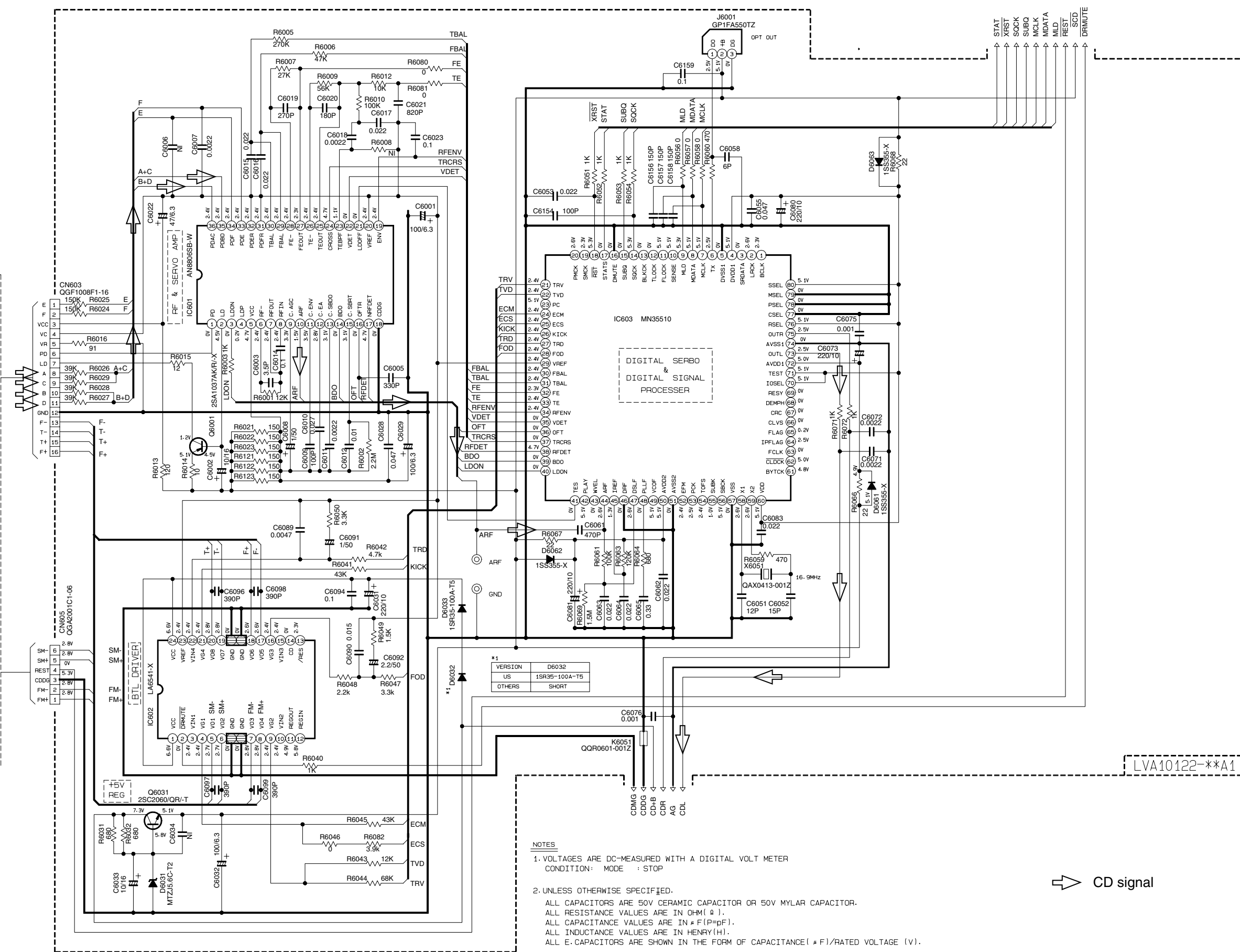
4

3

2

1

KSM-770ABA

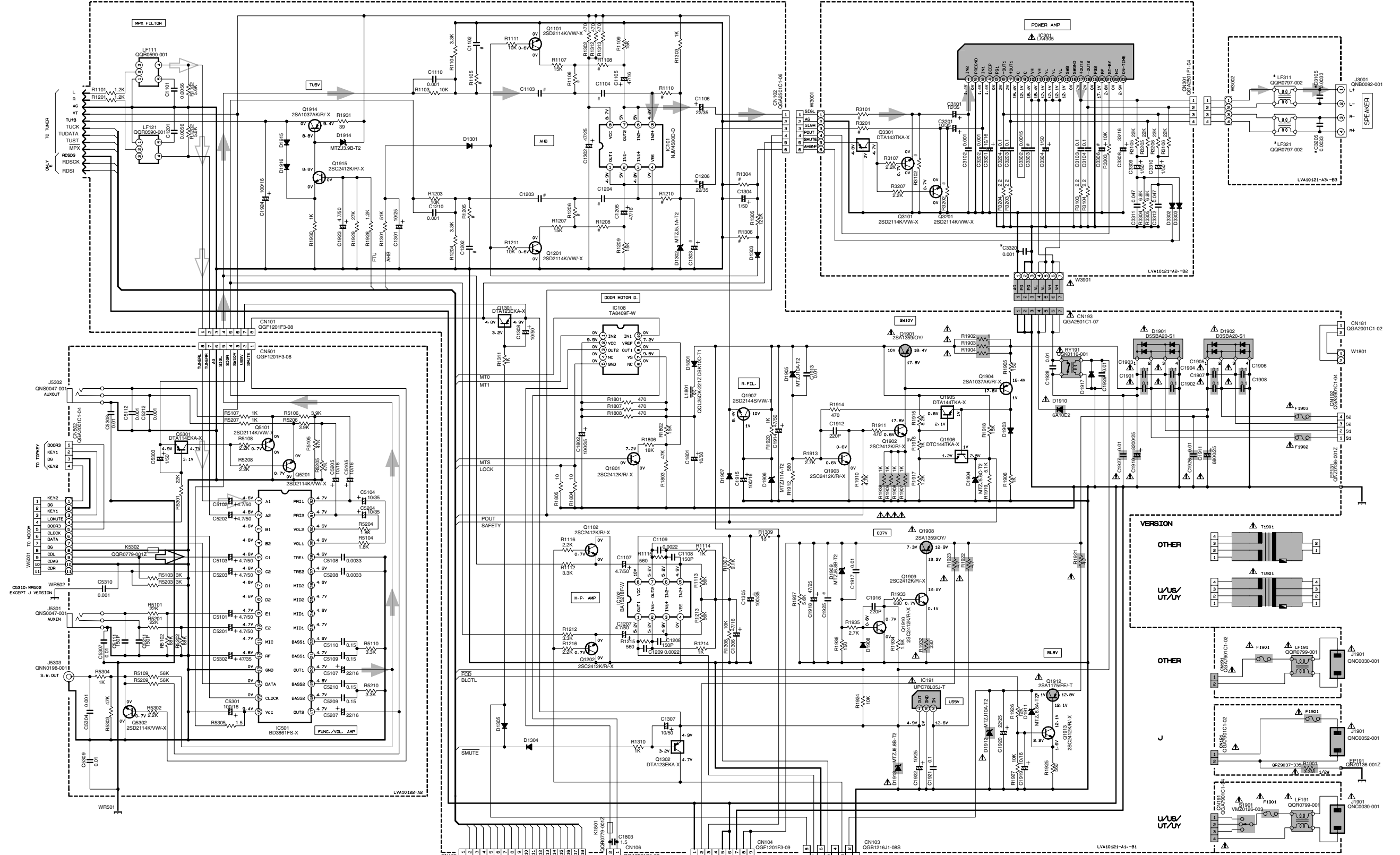


NOTES

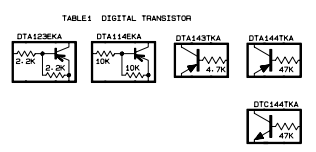
- VOLTAGES ARE DC-MEASURED WITH A DIGITAL VOLT METER
CONDITION: MODE : STOP
- UNLESS OTHERWISE SPECIFIED.
ALL CAPACITORS ARE 50V CERAMIC CAPACITOR OR 50V MYLAR CAPACITOR.
ALL RESISTANCE VALUES ARE IN OHM (Ω).
ALL CAPACITANCE VALUES ARE IN # F(P=pF).
ALL INDUCTANCE VALUES ARE IN HENRY(H).
ALL E-CAPACITORS ARE SHOWN IN THE FORM OF CAPACITANCE(# F)/RATED VOLTAGE (V).

➡ CD signal

Power supply & main circuit section



- NOTES
1. VOLTAGES ARE DC-MEASURED WITH A DIGITAL VOLT METER OR OSCILLOSCOPE WITHOUT INPUT SIGNAL. CONDITION --- CD STOP MODE
 2. UNLESS OTHERWISE SPECIFIED RESISTORS ARE 1/8W ±5% CARBON RESISTOR. ALL RESISTANCE VALUES ARE IN OHM(Ω). ALL CAPACITORS ARE CERAMIC CAPACITOR OR MYLAR CAPACITOR. ALL CAPACITANCE VALUES ARE IN μF(μF). ALL INDUCTANCE VALUES ARE IN mH(mH). ALL E-CAPACITORS ARE SHOWN IN THE FORM OF CAPACITANCE (μF)/RATED VOLTAGE (V). ALL DIODES ARE 1SS133
 3. *MARKS ARE B/E/EN/EV/EE/UB VERSION ONLY OTHER VERSIONS ARE OPEN OR SHORT

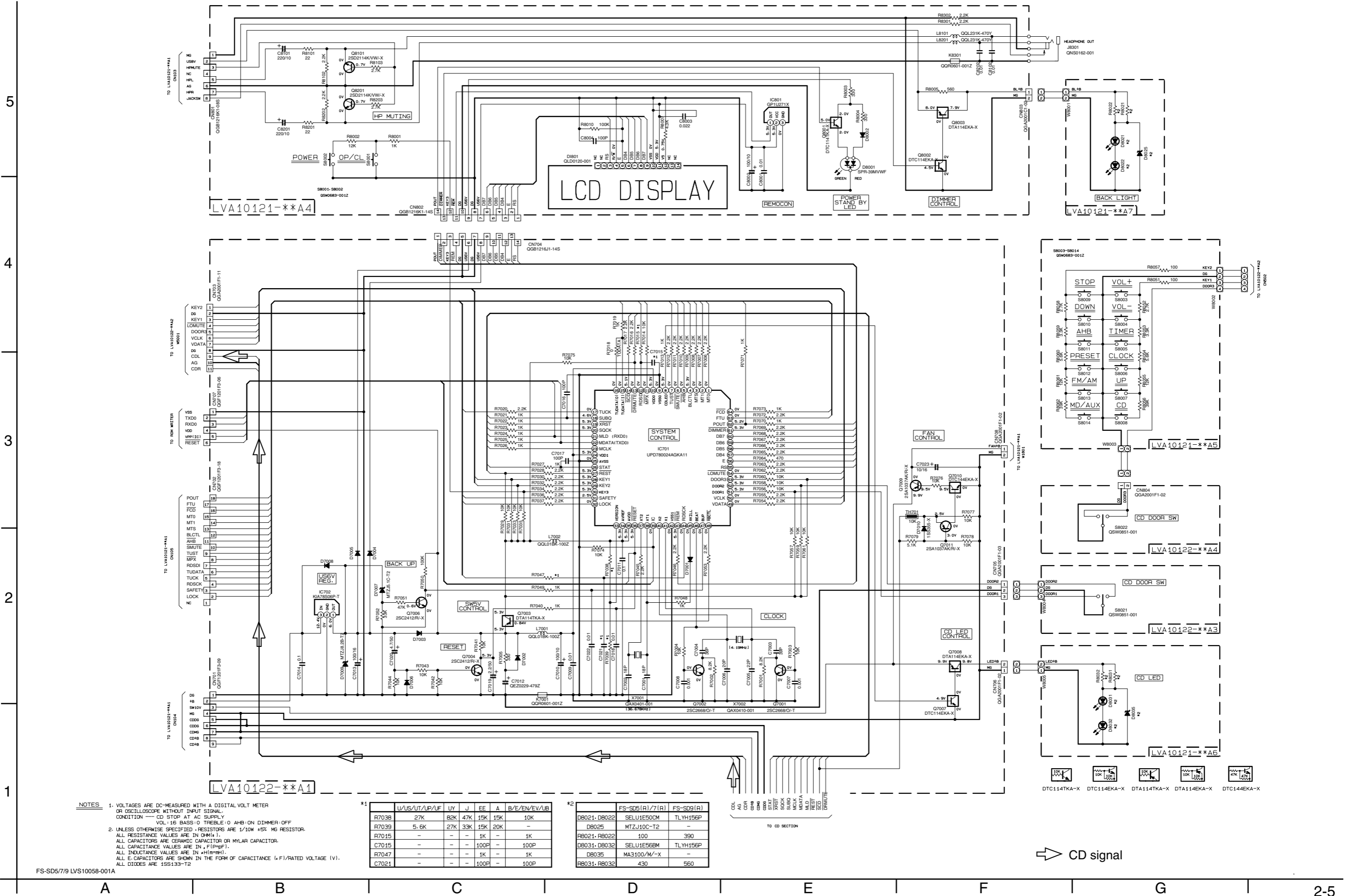


MARKS	R1108	E1108	E1103	E1104	E1108	R1108	R1110	R1304	R1305	R3101	R3102	C1303	C3303	C3305	C1305
S05	3.9K	0.15	0.082	0.082	1.5K	3K	180K	150K	51K	5.6K	6.8K	22/35	0.01	100/75	0.01
S07	2.7K	0.22	0.056	0.056	3.9K	4.3K	220K	220K	56K	4.3K	10K	↑	↑	↑	↑
S09	↑	↑	↑	↑	↑	↑	↑	↑	↑	↑	↑	47/25	0.1	47/25	0.022

	T1901	F1901	F1902	F1903
J	0G10286-002	0G51242-1R0-J1	0G51511-8R0-J1	0G51511-4R0-J1
B/E/EN/EE/UB	0G10286-003	0G51242-1R0-J1	0G51511-8R0-J1	0G51511-4R0-J1
US/UT/UY	0G10286-004	0G51242-1R0-J1	0G51511-8R0-J1	0G51511-4R0-J1
A	0G10286-005	0G51242-1R0-J1	0G51511-8R0-J1	↑
UF/AP	0G10286-006	↑	↑	↑

- ➡ Tuner signal
- ➡ CD signal
- ➡ Main signal
- ⚠ Parts are safety assurance parts. When replacing those parts make sure to use the specified one.

System control section



NOTES

- VOLTAGES ARE DC-MEASURED WITH A DIGITAL VOLT METER OR OSCILLOSCOPE WITHOUT INPUT SIGNAL. CONDITION --- CD STOP AT AC SUPPLY VOL+16 BASS 0 TREBLE 0 AHB ON DIMMER OFF
- UNLESS OTHERWISE SPECIFIED, RESISTORS ARE 1/10W ±5% MG RESISTOR. ALL RESISTANCE VALUES ARE IN Ω (1).
- ALL CAPACITORS ARE CERAMIC CAPACITOR OR MYLAR CAPACITOR. ALL CAPACITANCE VALUES ARE IN F (p/pF).
- ALL INDUCTANCE VALUES ARE IN mH (mH).
- ALL CAPACITORS ARE SHOWN IN THE FORM OF CAPACITANCE (F)/RATED VOLTAGE (V).
- ALL DIODES ARE 1SS133-T2

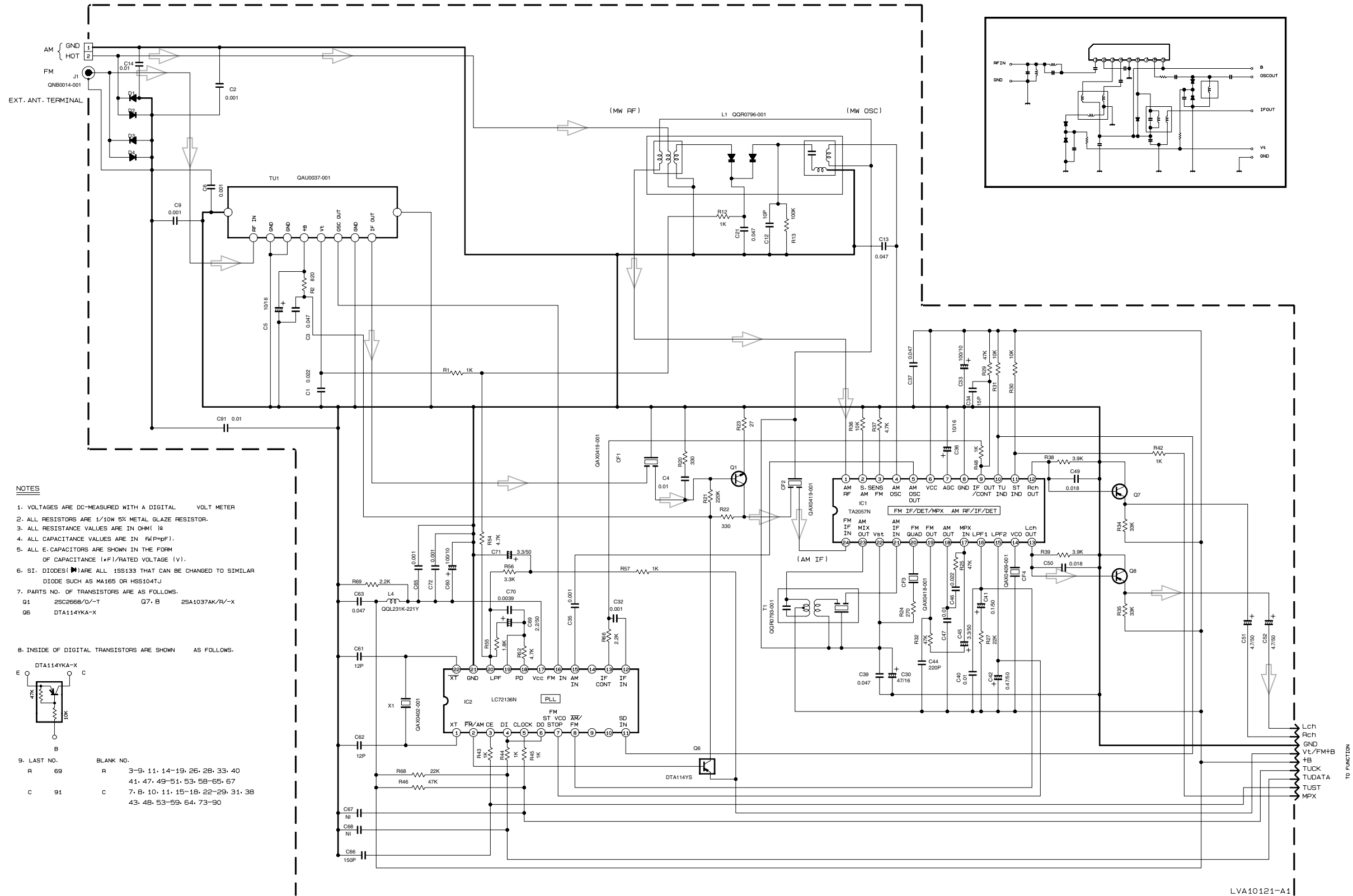
*1

	U/US/UT/UP/LF	UY	J	EE	A	B/E/EN/EV/LB
R7038	27K	82K	47K	15K	15K	10K
R7039	5.6K	27K	33K	15K	20K	-
R7045	-	-	-	1K	-	1K
C7045	-	-	-	100P	-	100P
R7047	-	-	-	1K	-	1K
C7021	-	-	-	100P	-	100P

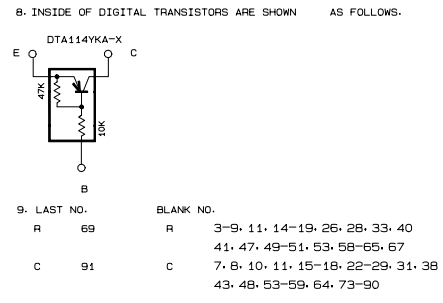
*2

	FS-SD5(R)/7(R)	FS-SD9(R)
DB021, DB022	SELU1E500CM	TLYH156P
DB025	MTZJ10C-T2	-
R8021, R8022	100	390
DB031, DB032	SELU1E566M	TLYH156P
DB035	MA3100/W-X	-
R8031, R8032	430	560

Tuner section



- NOTES**
- VOLTAGES ARE DC-MEASURED WITH A DIGITAL VOLT METER
 - ALL RESISTORS ARE 1/10W 5% METAL GLAZE RESISTOR.
 - ALL RESISTANCE VALUES ARE IN OHM (Ω)
 - ALL CAPACITANCE VALUES ARE IN PICO (pF).
 - ALL E-CAPACITORS ARE SHOWN IN THE FORM OF CAPACITANCE (μF)/RATED VOLTAGE (V).
 - SI DIODES (▶) ARE ALL 1S133 THAT CAN BE CHANGED TO SIMILAR DIODE SUCH AS MA165 OR HSB104TJ
 - PARTS NO. OF TRANSISTORS ARE AS FOLLOWS.
 Q1 2SC2668/D/-T Q7-B 2SA1037AK/R/-X
 Q6 DTA114YKA-X



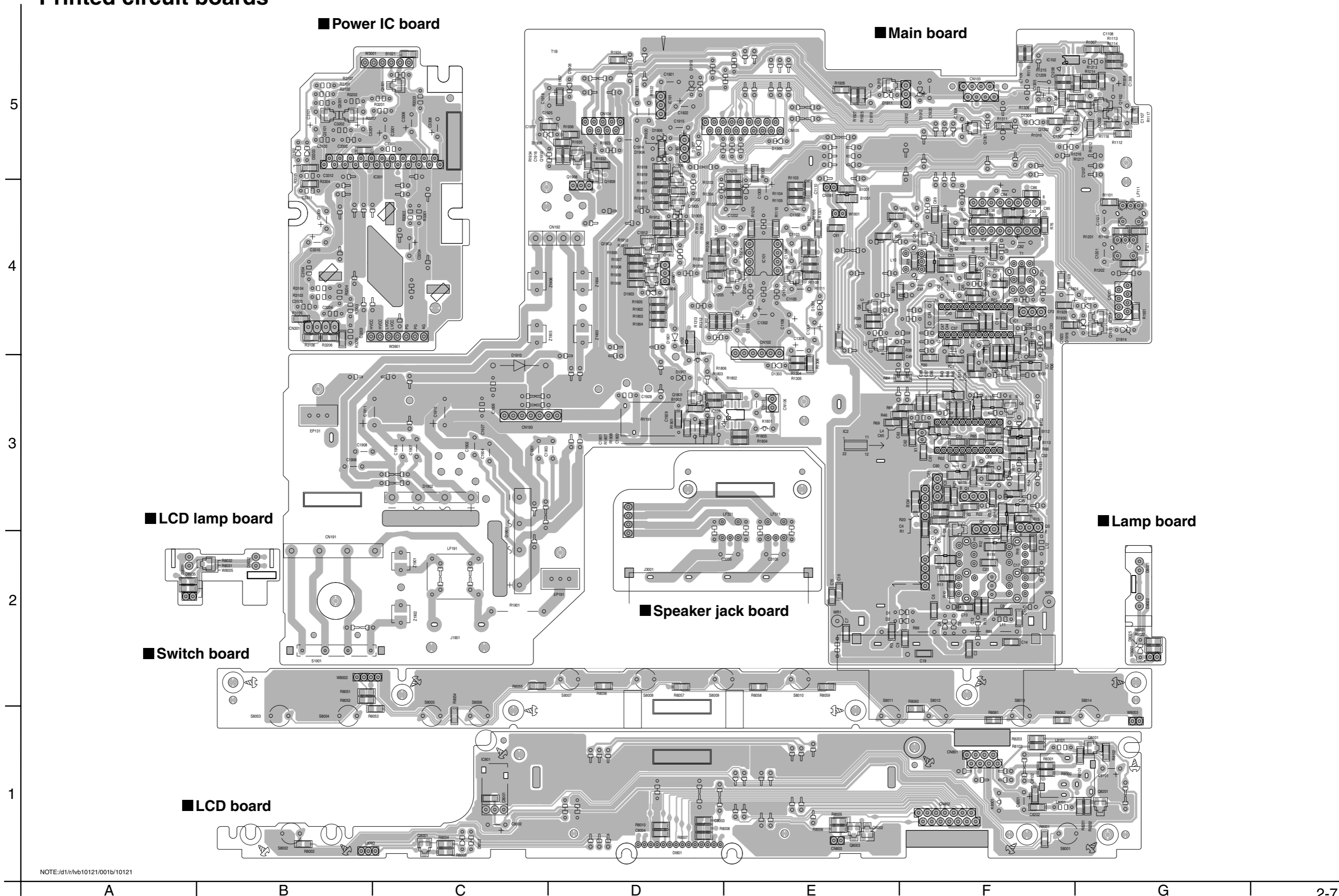
CONDITION	PIN NO.	1	2	3	4	5	6	7	8	9	10	11	12	13	14	15	16	17	18	19	20	21	22	23	24
IC1 FM NO SIGNAL		2.0	0.5	0	2.0	5.1	5.1	0	0	0.3	5.1	5.1	1.1	1.1	4.4	3.7	3.7	1.4	0	1.3	1.1	2.0	2.0	5.1	2.0
IC1 FM 60dB STEREO		2.0	0.5	0	2.0	5.1	5.1	1.1	0	0.3	0	0	1.1	1.1	4.3	4.1	3.7	1.4	0	1.4	1.1	2.0	2.0	5.1	2.0
IC1 AM NO SIGNAL		2.0	0.5	0	2.0	5.1	5.1	0	0	0.3	5.1	5.1	1.1	1.1	4.5	0.1	0	1.4	1.4	1.5	1.6	2.0	2.0	5.1	2.0
IC2 FM NO SIGNAL		2.4	0	0	1.1	5.0	1.1	3.7	3.7	0	0	5.1	0	0	0	2.6	5.1	1.0	1.0	3.7	0	2.7			

Tr No.	Q1	Q6	Q7	Q8
PIN NAME	E C B E C B E C B E C B	E C B E C B E C B E C B	E C B E C B E C B E C B	E C B E C B E C B E C B
FM 87.5MHZ	0 7.5 0.7 8.8 8.8	0 1.6 0 1.1 1.6 0 1.1		
AM 520KHZ	0 0 0 8.8 0 8.7 1.6	0 1.1 1.6 0 1.1		

➡ Tuner signal

Note: lvs200297
 LVS20029-007A FS-SD5/SD7/SD9 U/US/UT/UY/UP/UF

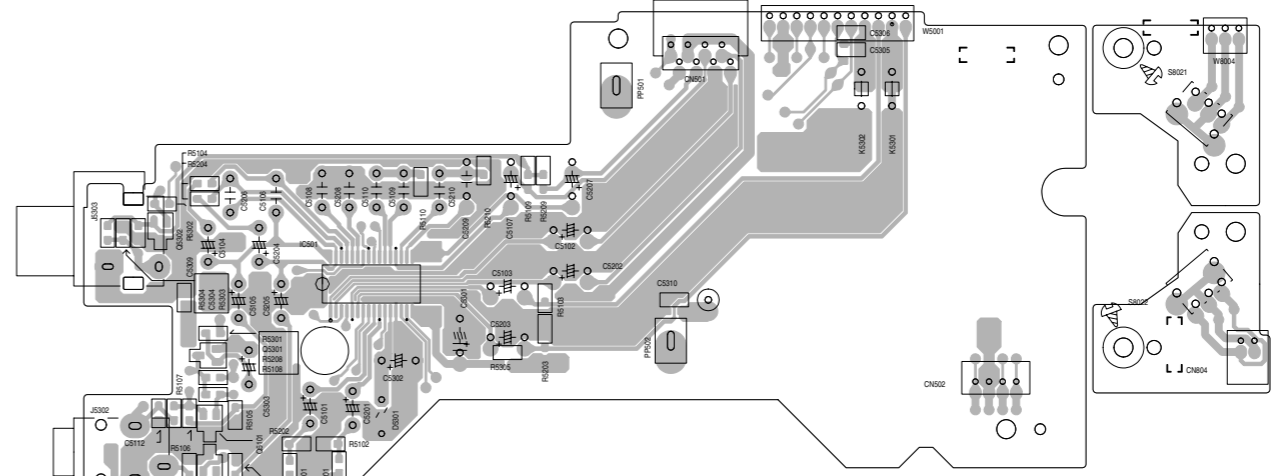
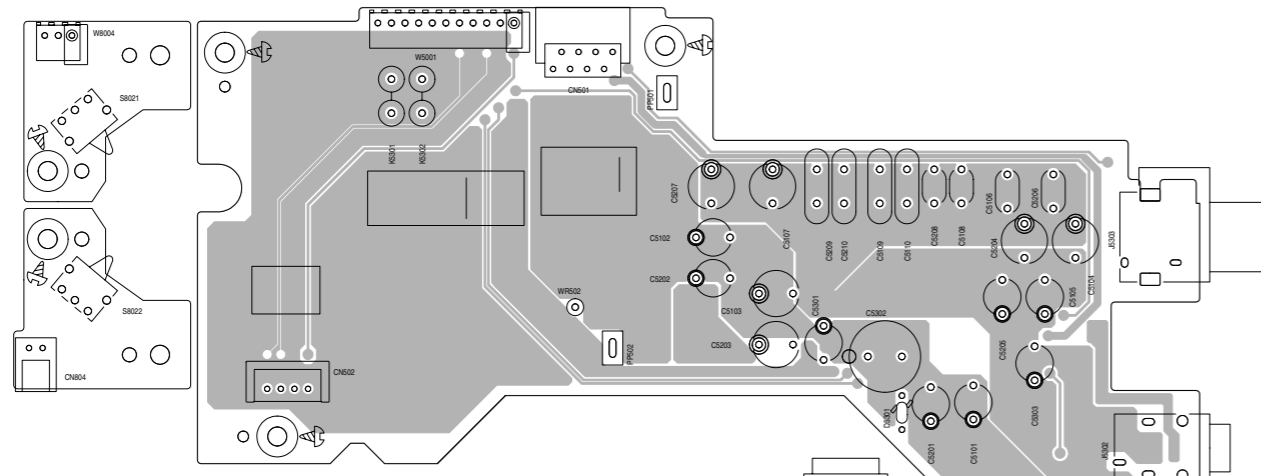
Printed circuit boards



NOTE:d1/r/vb10121/001b/10121

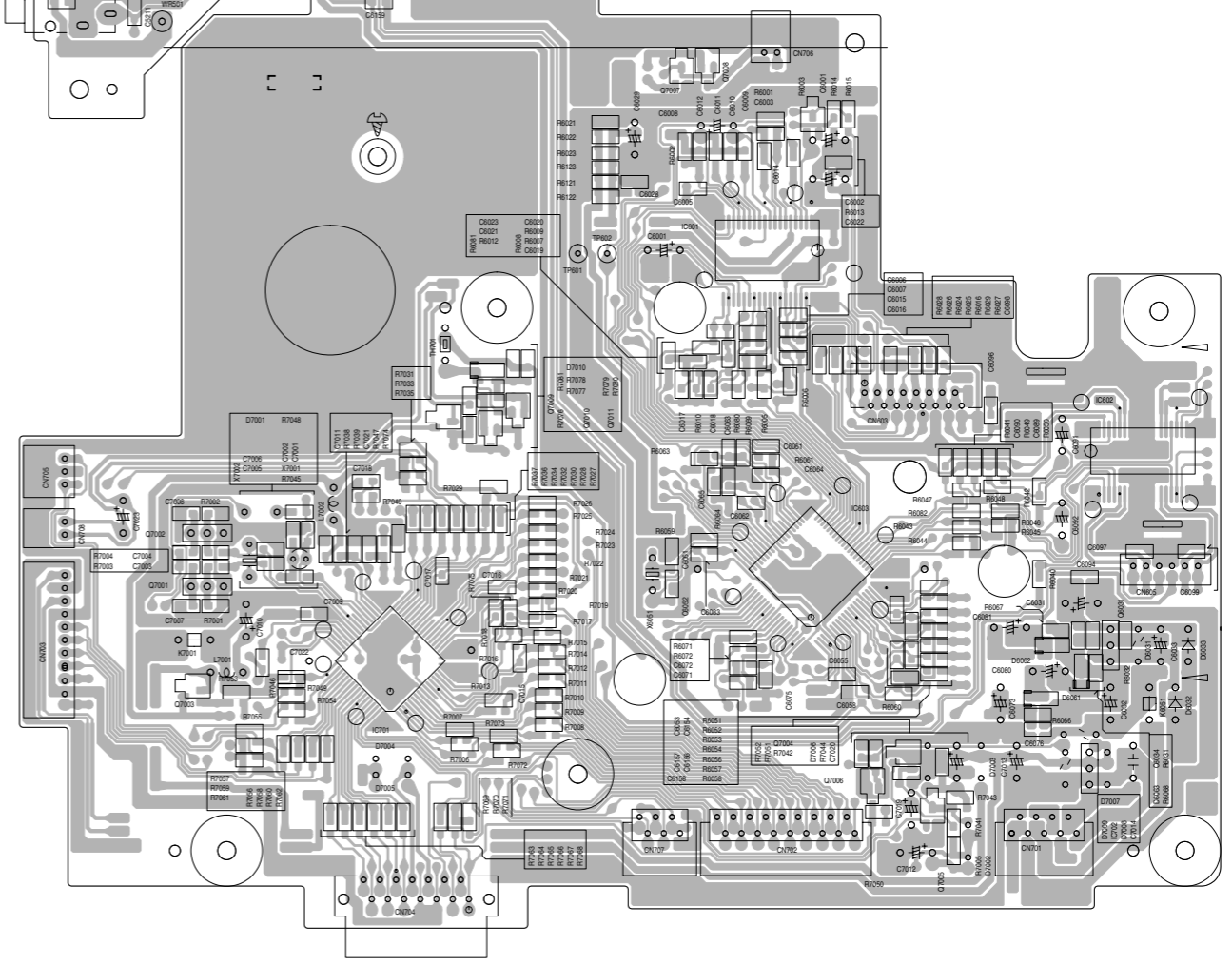
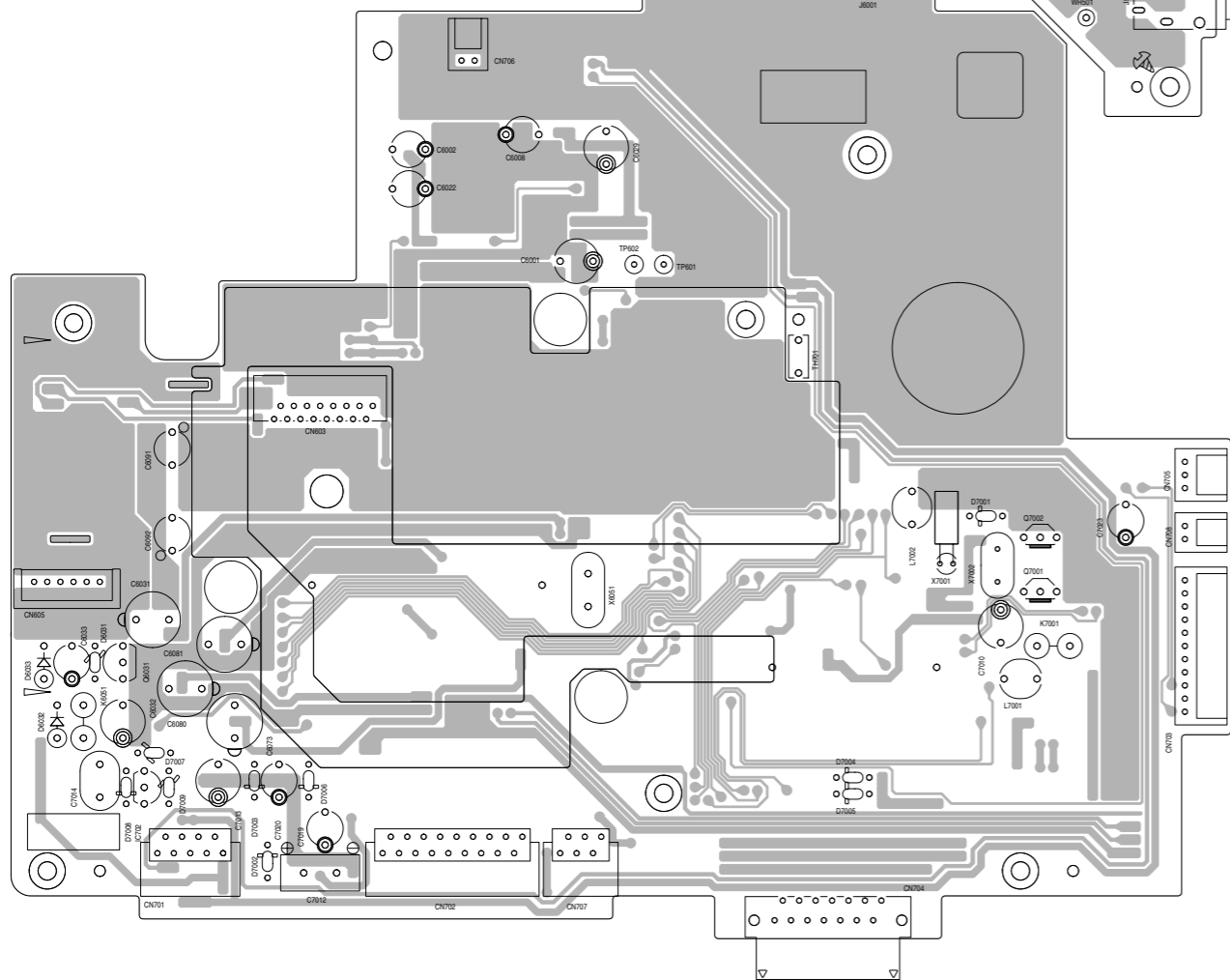
Line board(foward side)

Line board(reverse side)



CD servo board(foward side)

CD servo board(reverse side)



5

4

3

2

1

A

B

C

2-8

D

E

F

G

H